



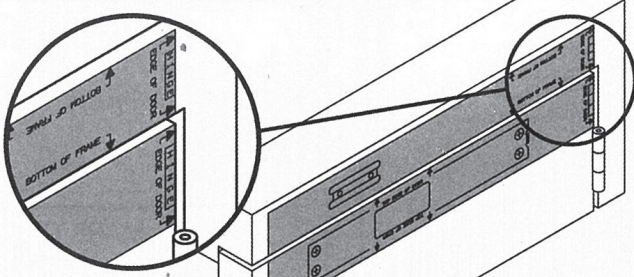
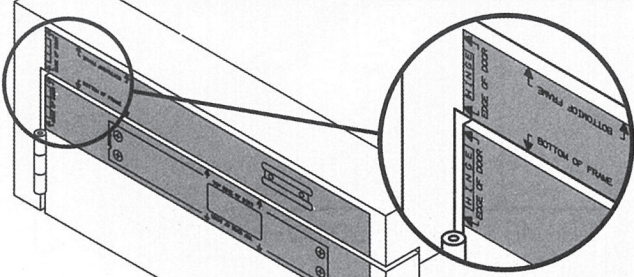
**WARNING**  
DOOR CLOSER POWER #1 & 2 AND THOSE SUPPLIED WITH MECHANICAL HOLD OPEN DEVICES MUST NOT BE INSTALLED ON FIRE / SMOKE DOORS.

## PULL SIDE - REGULAR APPLICATION (FIG. 1)

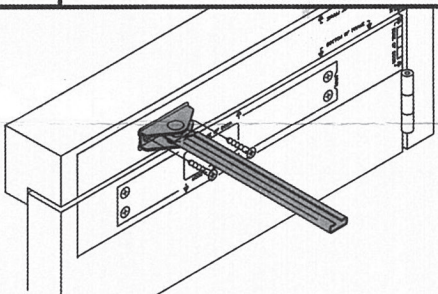
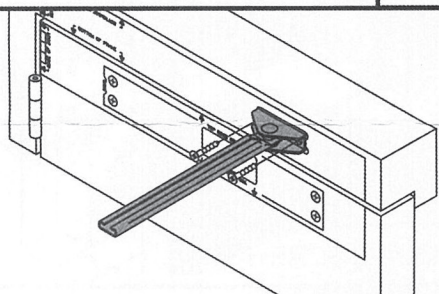
ANGLE OF OPENING 180° SUBJECT TO HINGE & SURROUNDING STRUCTURE

**R.H. DOOR**

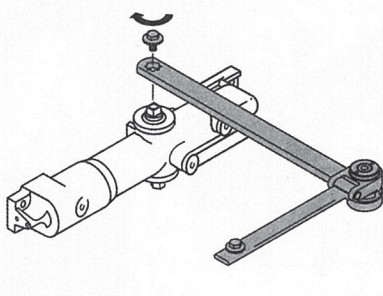
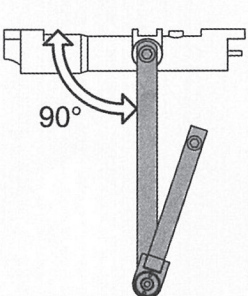
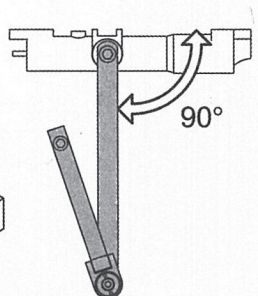
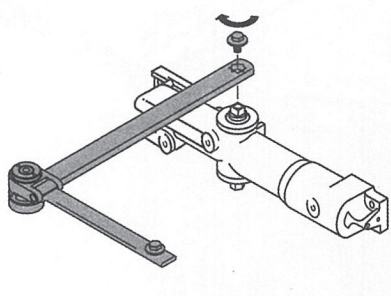
**L.H. DOOR**



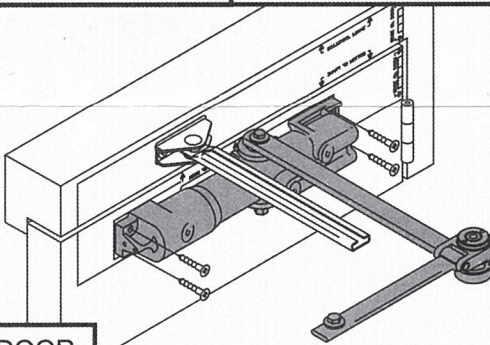
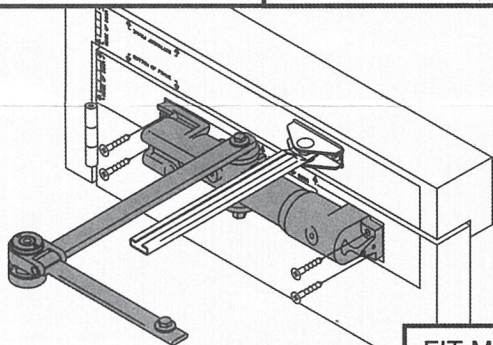
**1** PEEL TEMPLATES OFF BACKING PAPER  
POSITION ON DOOR/FRAME  
PILOT DRILL 6 HOLES **1**



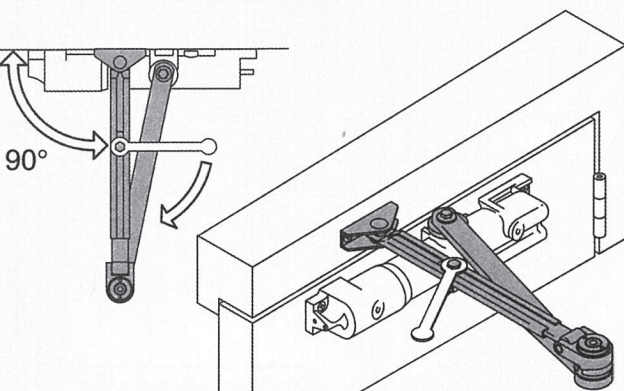
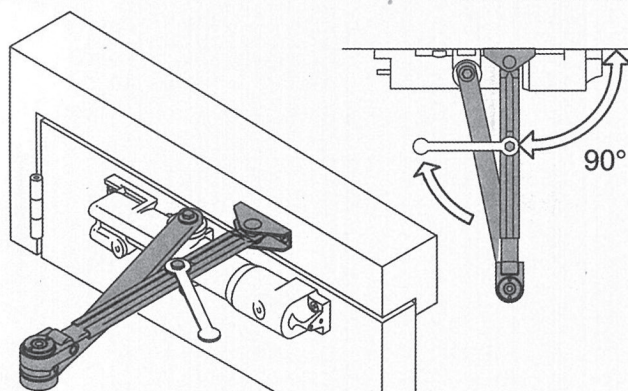
**2** FIT BRACKET ASSEMBLY (2 SCREWS) **2**



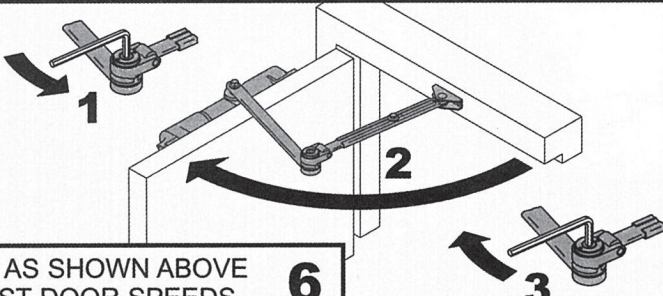
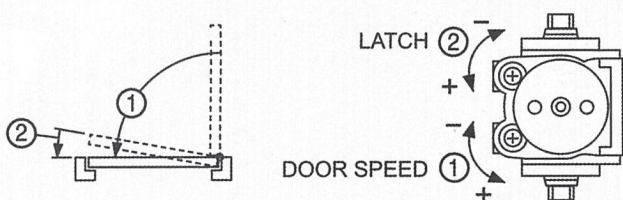
**3** FIT MAIN ARM ASSEMBLY TO MECHANISM (90°)  
SECURELY TIGHTEN FIXING SCREW **3**



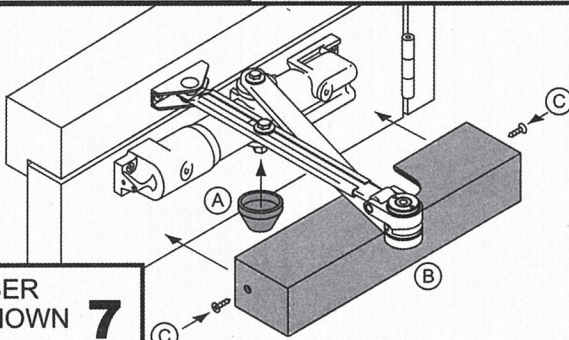
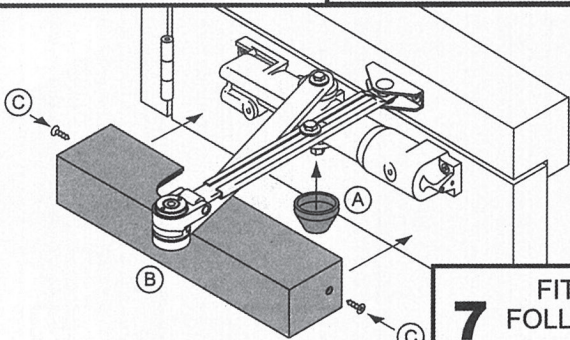
**4** FIT MECHANISM ASSEMBLY TO DOOR  
AND SECURE (4 SCREWS)  
PEEL OFF TEMPLATES **4**



**5** OPEN DOOR TO ENGAGE SECONDARY ARM STRIP AND TUBE  
CLOSE DOOR AND SET SECONDARY ARM AT 90° TO DOOR FACE  
SECURELY TIGHTEN CLAMP BOLT WITH SPANNER **5**



**6** SET HOLD OPEN ARM AS SHOWN ABOVE  
IF NECESSARY ADJUST DOOR SPEEDS **6**



**7** FIT COVER TO CLOSER  
FOLLOWING STEPS SHOWN **7**  
(2 SCREWS)

CLOSER POWER

DOOR SIZE

**#1**

20kg  
750 MAX

**#2**

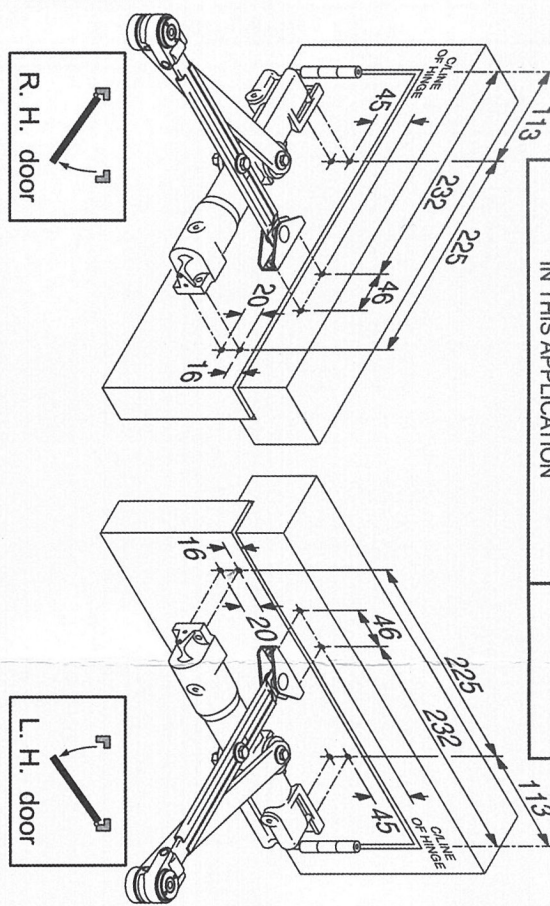
40kg  
850 MAX

**#3**

60kg  
950 MAX

**#4**

80kg  
1100 MAX

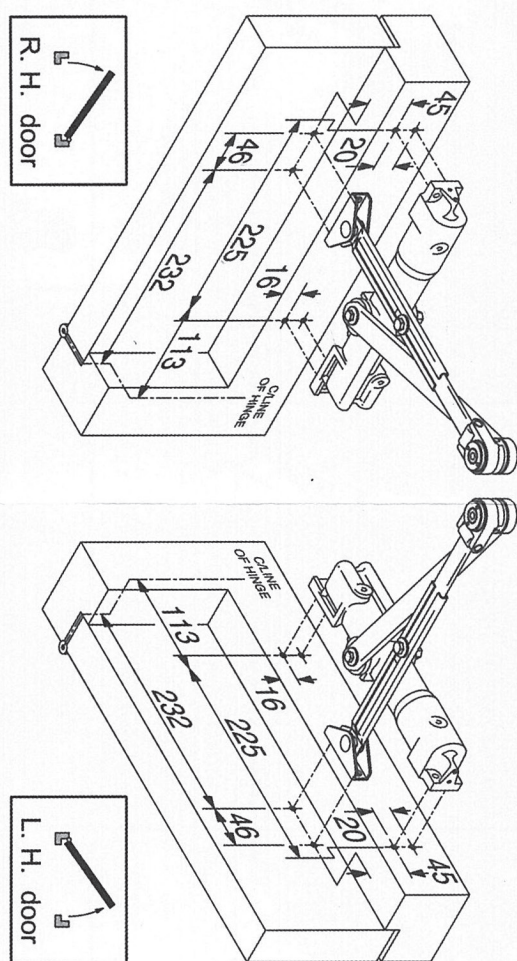


**REGULAR FIXING (FIG.1)**  
NOTE! NO POWER SIZE REDUCTION  
IN THIS APPLICATION

FIG.1 SIZE 3  
FIG.1 SIZE 4

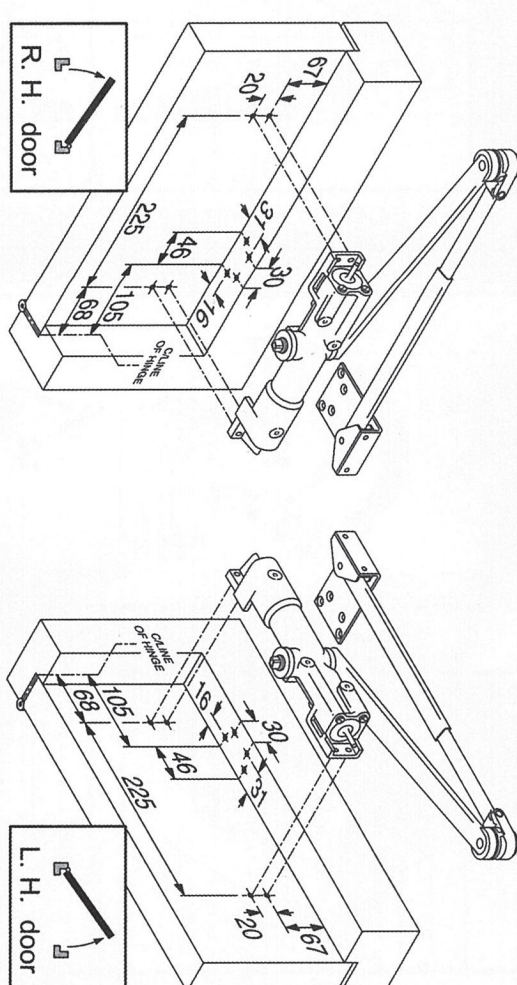
**FOR TRANSOM AND PARALLEL ARM INSTALLATION PROCEDURE SEE OVERLEAF**  
MAINTENANCE (Quarterly)  
Check that the door closer closes the door correctly and fixing screws are tight.  
Periodically apply light oil to arm knuckle joints and door hinges.

NOTE - all dimensions are in millimetres



**TRANSOM FIXING (FIG.61)**  
NOTE! NO POWER SIZE REDUCTION  
IN THIS APPLICATION

FIG.1 SIZE 3 = FIG.61 SIZE 3  
FIG.1 SIZE 4 = FIG.61 SIZE 4



**PARALLEL ARM FIXING (FIG.66)**  
NOTE! POWER SIZE REDUCTION  
IN THIS APPLICATION

FIG.1 SIZE 3 = FIG.66 SIZE 1  
FIG.1 SIZE 4 = FIG.66 SIZE 2

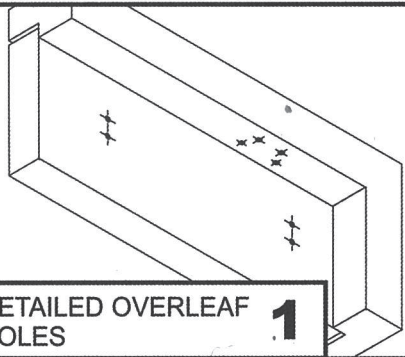
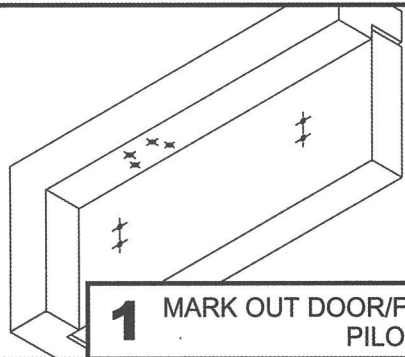


## PUSH SIDE - PARALLEL ARM APPLICATION (FIG.66)

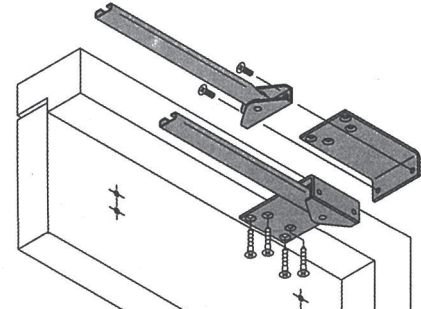
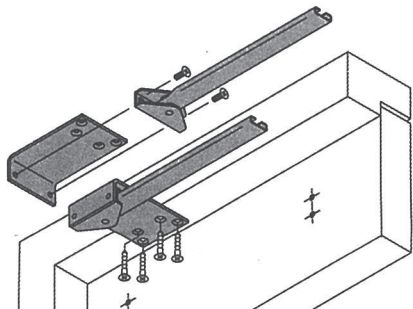
ANGLE OF OPENING 180° SUBJECT TO HINGE & SURROUNDING STRUCTURE

L.H. DOOR

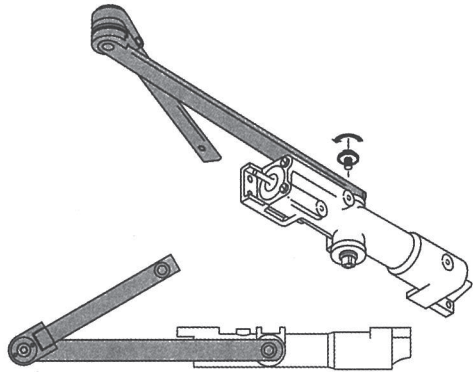
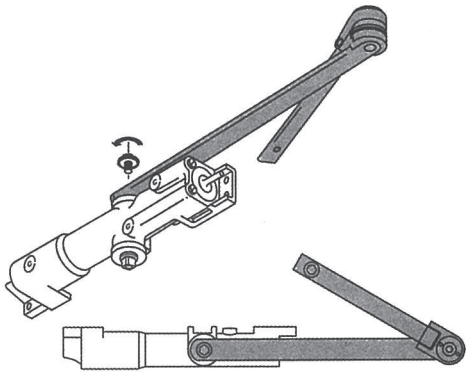
R.H. DOOR



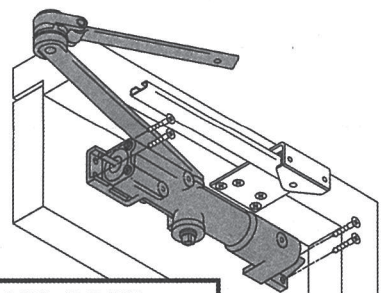
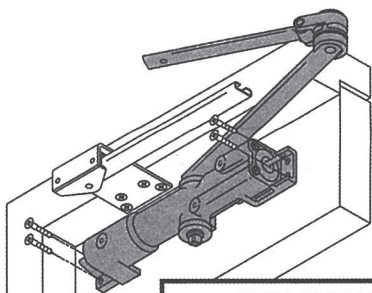
**1** MARK OUT DOOR/FRAME AS DETAILED OVERLEAF PILOT DRILL 8 HOLES **1**



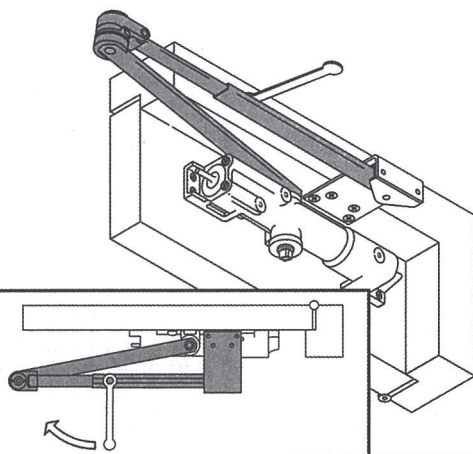
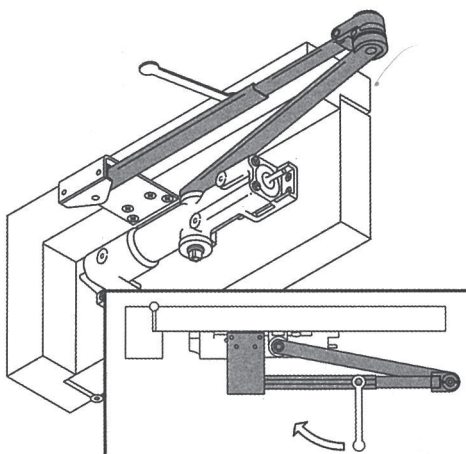
**2** FIT ARM BRACKET ASSEMBLY TO FIG.66 BRACKET (2 SCREWS) FIT BRACKET ASSEMBLY TO FRAME (4 SCREWS) **2**



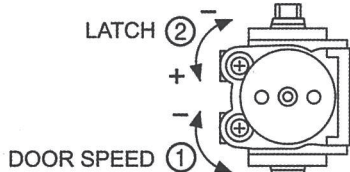
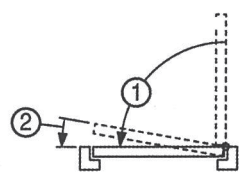
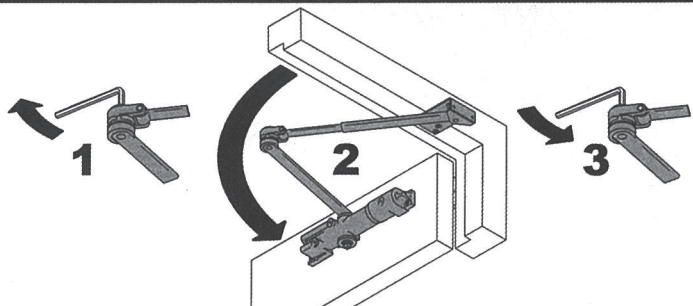
**3** FIT MAIN ARM ASSEMBLY TO MECHANISM, SECURELY TIGHTEN FIXING SCREW **3**



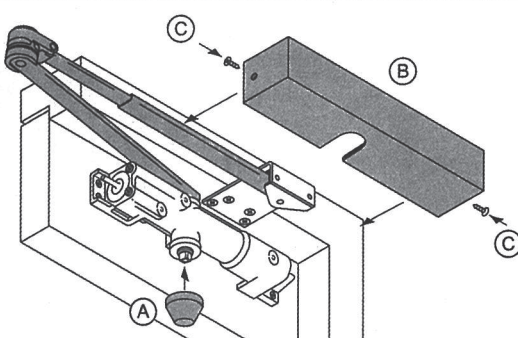
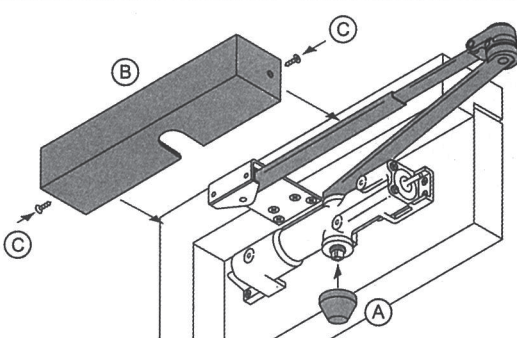
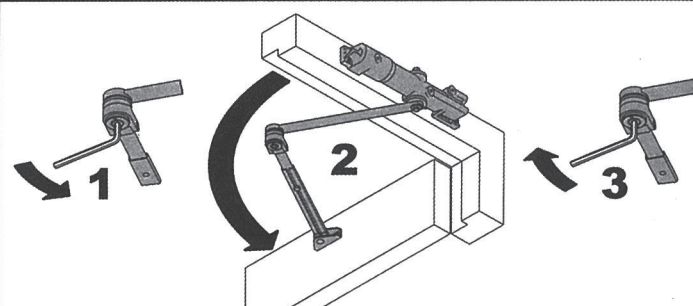
**4** FIT MECHANISM ASSEMBLY TO DOOR AND SECURE (4 SCREWS) **4**



**5** OPEN DOOR TO ENGAGE SECONDARY ARM STRIP AND TUBE CLOSE DOOR AND SET ARMS AS SHOWN ABOVE SECURELY TIGHTEN CLAMP BOLT WITH SPANNER **5**



**6** SET HOLD OPEN ARM AS SHOWN ABOVE IF NECESSARY ADJUST DOOR SPEEDS **6**



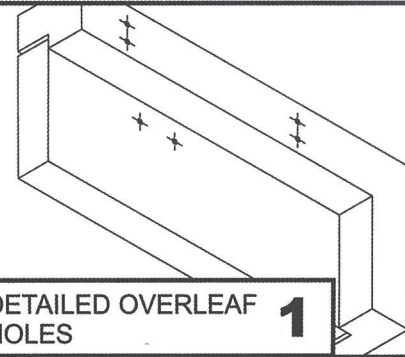
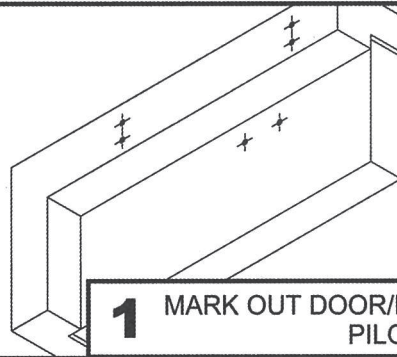
**7** FIT COVER TO CLOSER FOLLOWING STEPS SHOWN (2 SCREWS) **7**

## PUSH SIDE TRANSOM APPLICATION (FIG.61)

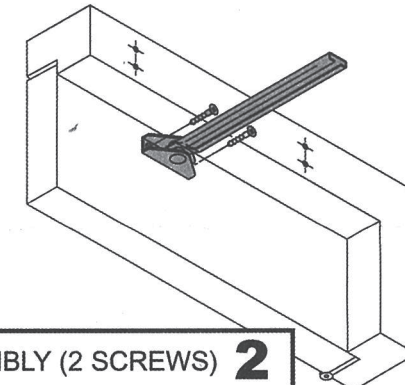
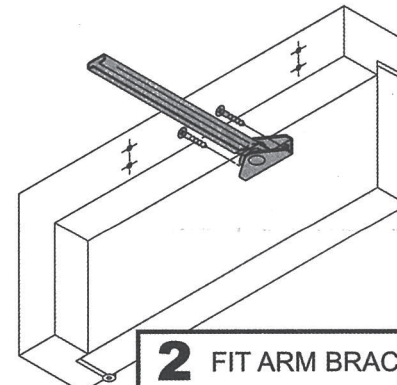
ANGLE OF OPENING 180° SUBJECT TO HINGE & SURROUNDING STRUCTURE

L.H. DOOR

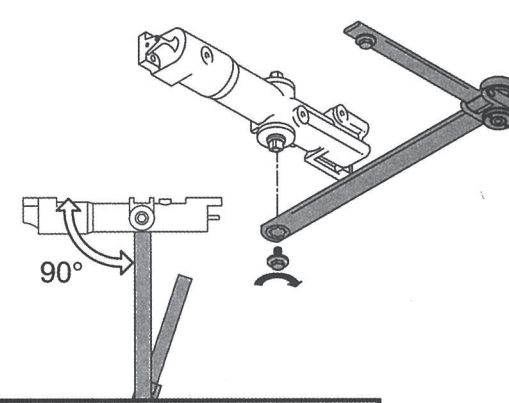
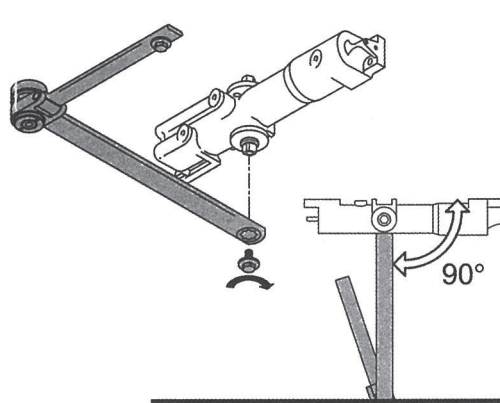
R.H. DOOR



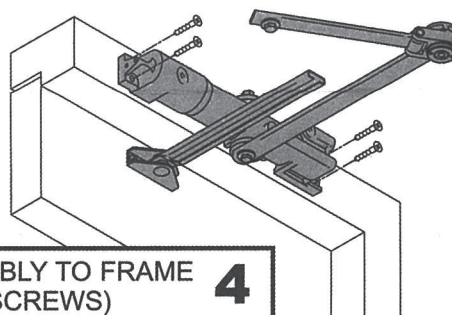
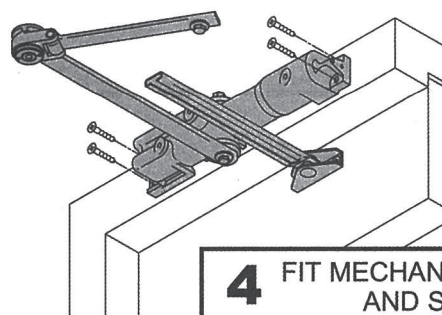
**1** MARK OUT DOOR/FRAME AS DETAILED OVERLEAF PILOT DRILL 6 HOLES **1**



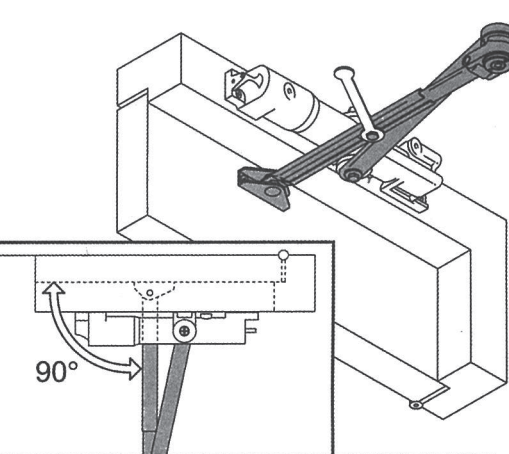
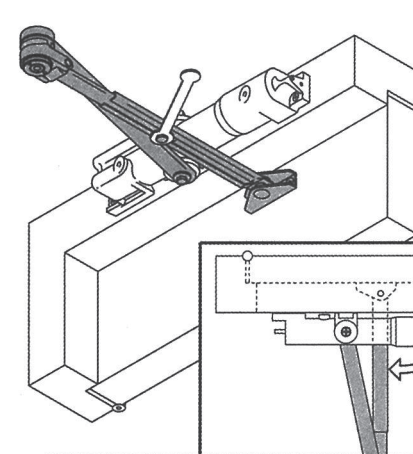
**2** FIT ARM BRACKET ASSEMBLY (2 SCREWS) **2**



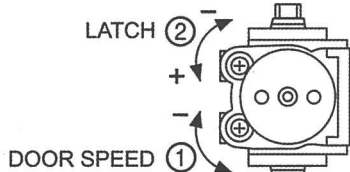
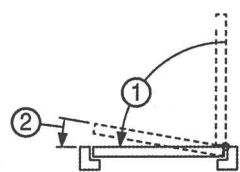
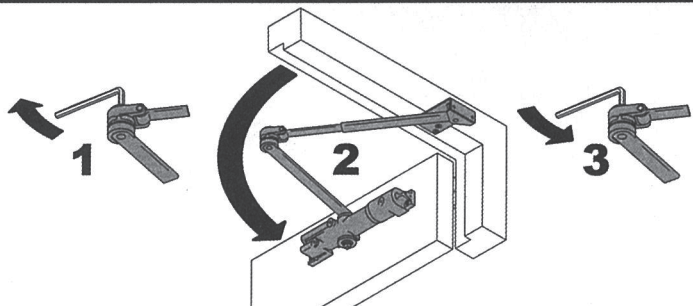
**3** FIT MAIN ARM ASSEMBLY TO MECHANISM (90°) SECURELY TIGHTEN FIXING SCREW **3**



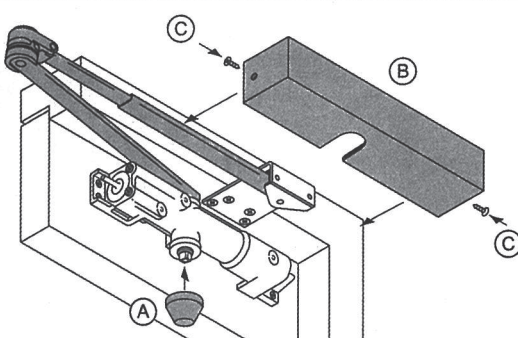
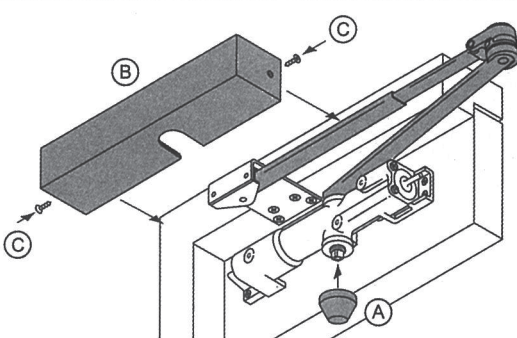
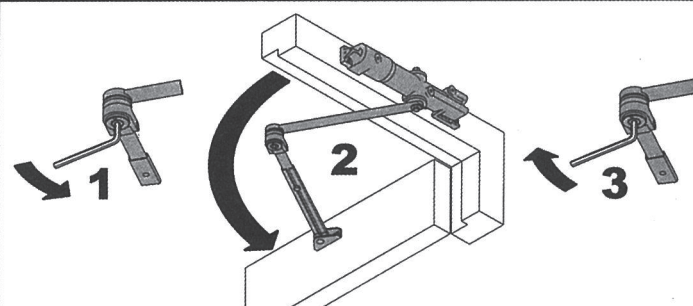
**4** FIT MECHANISM ASSEMBLY TO FRAME AND SECURE (4 SCREWS) **4**



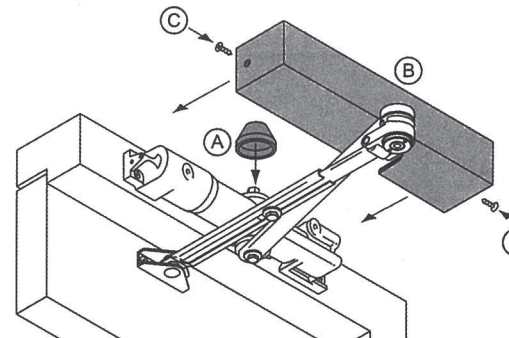
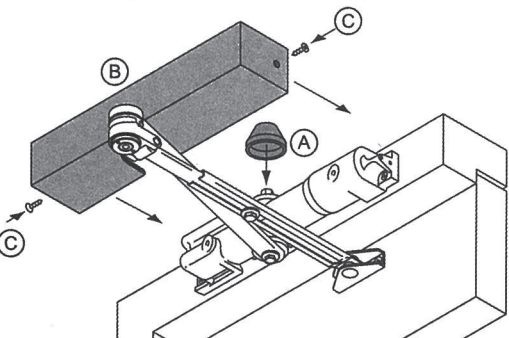
**5** OPEN DOOR TO ENGAGE SECONDARY ARM STRIP AND TUBE CLOSE DOOR AND SET SECONDARY ARM AT 90° TO DOOR FACE SECURELY TIGHTEN CLAMP BOLT WITH SPANNER **5**



**6** SET HOLD OPEN ARM AS SHOWN ABOVE IF NECESSARY ADJUST DOOR SPEEDS **6**



**7** FIT COVER TO CLOSER FOLLOWING STEPS SHOWN (2 SCREWS) **7**



**7** FIT COVER TO CLOSER FOLLOWING STEPS SHOWN (2 SCREWS) **7**